

# Plastic Pull-Through Seals

## Pullock Security Seal



Our Pullock consists of a one piece design and construction, marked with sequential numbers. The double locking mechanism is totally enclosed within the head of the seal, ensuring high-level tamper resistance. It is ideal for narrow apertures. Tag size: 34 x 15mm.



### Technical Specifications

Material: Polypropylene

Tensile Strength: 15kgF

Dimensions: 168x3.23mm / Flag: 34x14.7mm

Customisation Options: Available pre-numbered only

Applications: Clinical waste, cash bags, TIR cables, cages, curtain sided trailer buckles

Available Colours: 

### Industries

Gov't & Finance	Food & Drink	Logistics	Hospital & Clinical
-----------------	--------------	-----------	---------------------

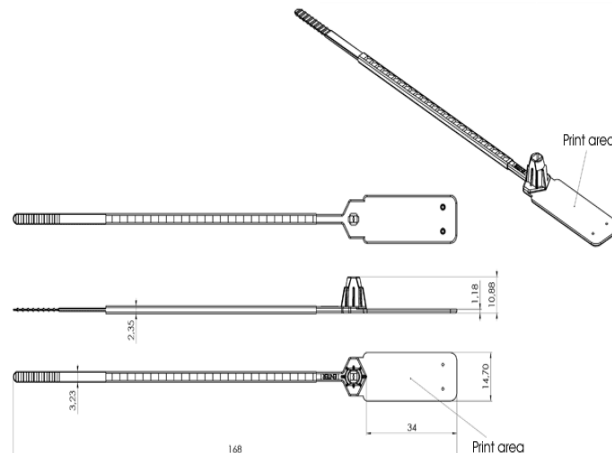
### Packaging Specifications

Quantity: 1000

Weight: 10kg

Dimensions: 46x36x31cm

### Technical Drawing



Universeal (UK) Ltd.

Unit 9 Portal Business Park, Eaton Lane, Tarporley, CW6 9DL  
tel: 01829 760000 / e-mail: sales@universeal.co.uk